

NAME: _____

PHONE: _____

SCHOOL/ORGANIZATION: _____

E-MAIL: _____

DEALER/REP: _____

SALES REP: _____ QUOTE: _____



Our fully modular, cost effective Stor-Edge Medical Base Cabinet line is functional, durable, aesthetically pleasing and designed for multiple applications. All cabinets are handcrafted in the US and are available in several wood or laminate choices. Choose to apply custom branding to carry your brand throughout your treatment area.

Our Stor-Edge Medical Base cabinets are designed for use with our Stor-Edge Medical Wall cabinets. Pair multiple cabinets together or ask about custom-built options for a fully functional treatment space. Continuous countertop and toe kick available for a run of base cabinets. Please supply a room layout when ordering.

Cabinets come standard with the same color laminate on the outside and inside of bases, as well as the doors and drawer fronts. Custom color options are available upon request. Mounting hardware not included.

STANDARD FEATURES:

- Available in wood or laminate finishes
- (1) Adjustable shelf in each doored cabinet (Not available in sink cabinets)
- 110° Euro hinges on doors
- Full extension drawers glides
- Black wire pull handles
- Right or left hinges available on single door cabinets
- High pressure laminate countertop with backsplash
- Black toe-kick plate
- Some assembly required (Backsplash ships not attached)

Stor-Edge™ MEDICAL BASE CABINETS



SEM CB-003-2D

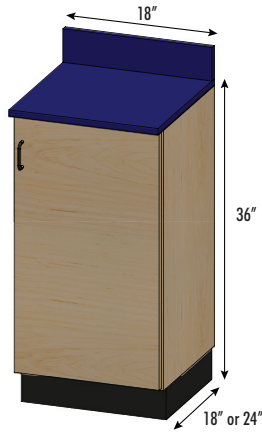


CABINET CONFIGURATIONS:

SEM CB-001

18"W x 18"D x 36"H
(1) Adjustable Shelf
(1) Hinged Door

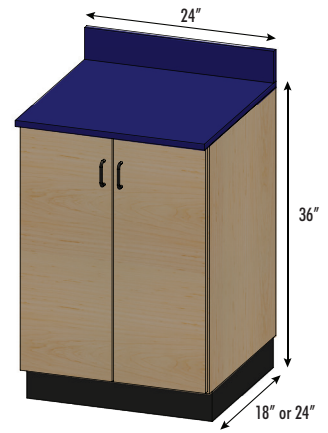
Qty _____



SEM CB-003

24"W x 18"D x 36"H
(1) Adjustable Shelf
(2) Hinged Doors

Qty _____



SEM CB-002

18"W x 24"D x 36"H
(1) Adjustable Shelf
(1) Hinged Door

Qty _____

SEM CB-004

24"W x 24"D x 36"H
(1) Adjustable Shelf
(2) Hinged Doors

Qty _____

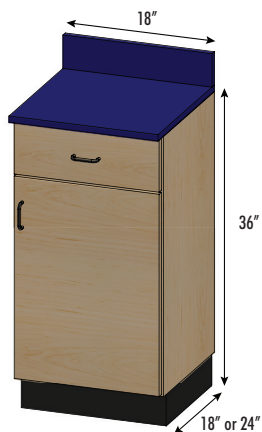
Right Hinged Door

Left Hinged Door

SEM CB-001-1D

18"W x 18"D x 36"H
(1) Adjustable Shelf
(1) Hinged Door
(1) 5.5" Drawer

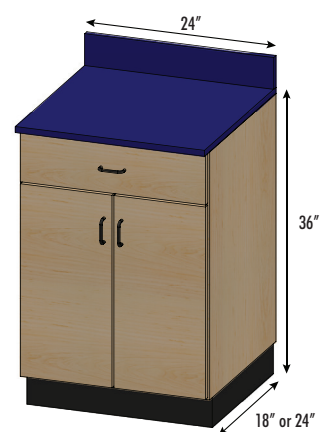
Qty _____



SEM CB-003-1D

24"W x 18"D x 36"H
(1) Adjustable Shelf
(2) Hinged Doors
(1) 5.5" Drawer

Qty _____



SEM CB-002-1D

18"W x 24"D x 36"H
(1) Adjustable Shelf
(1) Hinged Door
(1) 5.5" Drawer

Qty _____

SEM CB-004-1D

24"W x 24"D x 36"H
(1) Adjustable Shelf
(2) Hinged Doors
(1) 5.5" Drawer

Qty _____

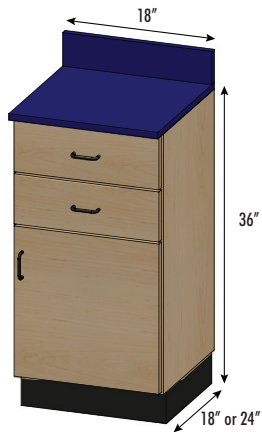
Right Hinged Door

Left Hinged Door

SEM CB-001-2D

18"W x 18"D x 36"H
(1) Adjustable Shelf
(1) Hinged Door
(2) 5.5" Drawers

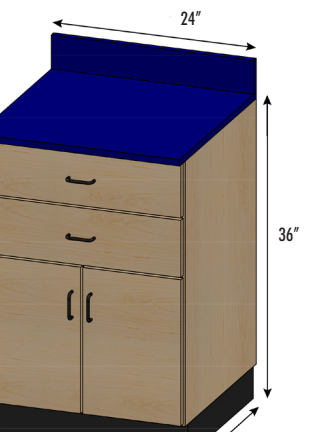
Qty _____



SEM CB-003-2D

24"W x 18"D x 36"H
(1) Adjustable Shelf
(2) Hinged Doors
(2) 5.5" Drawers

Qty _____



SEM CB-002-2D

18"W x 24"D x 36"H
(1) Adjustable Shelf
(1) Hinged Door
(2) 5.5" Drawers

Qty _____

SEM CB-004-2D

24"W x 24"D x 36"H
(1) Adjustable Shelf
(2) Hinged Doors
(2) 5.5" Drawers

Qty _____

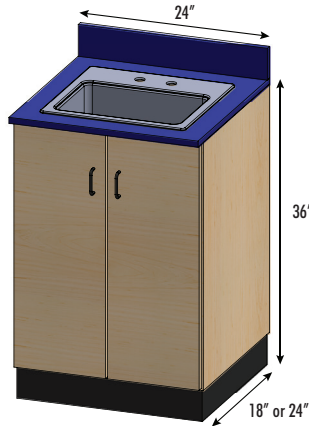
Right Hinged Door

Left Hinged Door

Cabinets ship individually without countertop installed. Assembly and installation required on site.

CABINET CONFIGURATIONS:

- SEM CB-003-Sink**
24"W x 18"D x 36"H
(2) Hinged Doors
Sink Kit (Assembly Required)
Qty _____



- SEM CB-004-Sink**
24"W x 24"D x 36"H
(2) Hinged Doors
Sink Kit (Assembly Required)
Qty _____

- SEM CB-001-5D**
18"W x 18"D x 36"H
(5) 6" Drawers
Qty _____

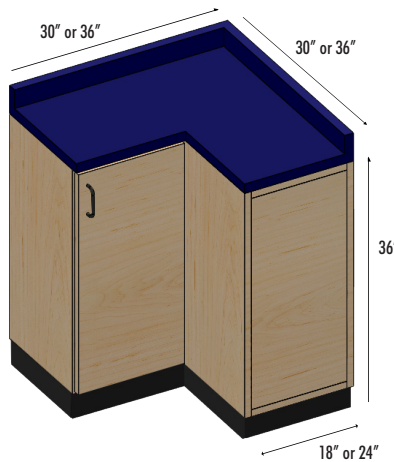


- SEM CB-002-5D**
18"W x 24"D x 36"H
(5) 6" Drawers
Qty _____

- SEM CB-003-5D**
24"W x 18"D x 36"H
(5) 6" Drawers
Qty _____

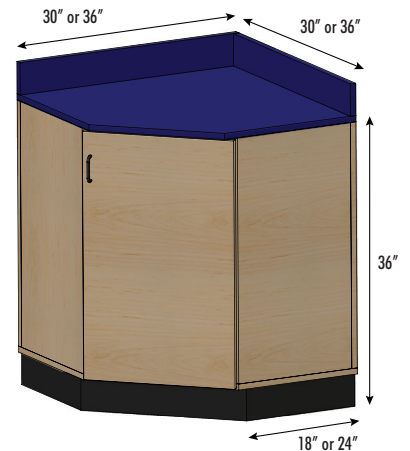
- SEM CB-004-5D**
24"W x 24"D x 36"H
(5) 6" Drawers
Qty _____

- SEM CB-005**
30"W x 18"D x 36"H
"L" Corner Unit
(1) Adjustable Shelf
(1) Hinged Door
Qty _____



- SEM CB-008**
36"W x 24"D x 36"H
"L" Corner Unit
(1) Adjustable Shelf
(1) Hinged Door
Qty _____

- SEM CB-021**
30"W x 18"D x 36"H
Corner Unit
(1) Adjustable Shelf
(1) Hinged Door
Qty _____



- SEM CB-022**
36"W x 24"D x 36"H
Corner Unit
(1) Adjustable Shelf
(1) Hinged Door
Qty _____

- Right Hinged Door**
 Left Hinged Door

- Right Hinged Door**
 Left Hinged Door

CONTINUOUS RUN OPTIONS:

- Continuous Countertop**
Please supply a Floor Plan/Room Layout showing cabinets.
- Continuous Toe-Kick**
 Black Laminate



*Cabinets ship individually without countertop installed.
Assembly and installation required on site.*

STANDARD WOOD CHOICES:

-  Oak  Maple








WOOD STAIN OPTION:

- Mod-Stain


STAIN CHOICES:

-  Warm Copper  Rustic Fall
  Deep Garnet  Warm Caramel
  Fossil Gray  Black Beauty
  Tungsten Custom Wood Stain Color

STANDARD LAMINATE CHOICES:

-  Oak  Grey
  Maple  Storm Grey
  Cherry Merlot  Harbor Grain
  Espresso  Black

STANDARD UPHOLSTERY CHOICES:

-  Brittany Blue  Royal Blue
  Navy Blue  Red
  Burgundy  Hunter Green
  North Sea Grey  Slate Grey
  Black

CUSTOM BRANDING:

- Decal Custom Small**
Small Logo Decal
(6"W x 6"H)



- Decal Custom Large**
Large Logo Decal
(12"W x 12"H)



OPTIONS:

- Lock1004** - Lock on Single Door
 Lock Double Door - Lock on Double Doors
 Lock1001 - Lock on Drawer (Not available with flush mount handles)
 TSFO-FHDR - Flush Mount Handles on Drawers
 TSFO-FHD - Flush Mount Handles on Doors
 TSFO-FHSD - Flush Mount Handles - Single Door (18"W or 24"W)